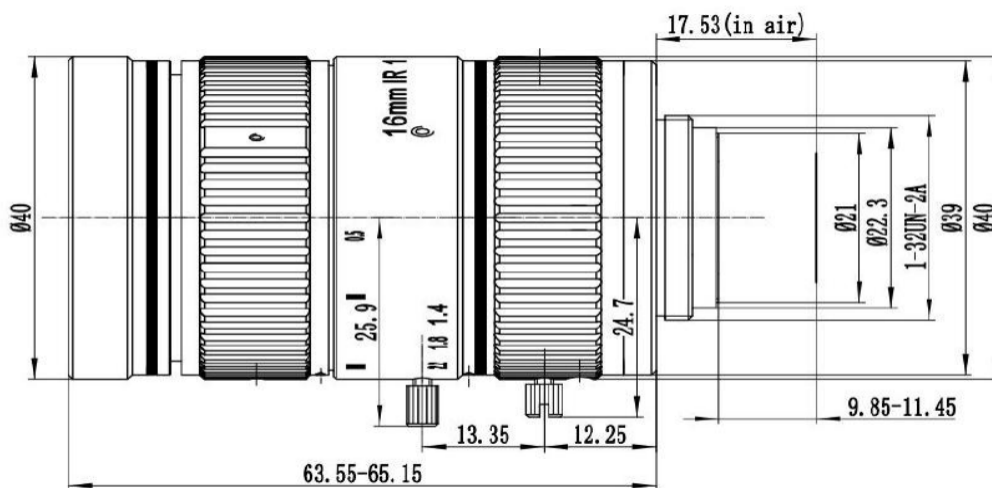




IR correction lens

Model	IR1614-12MP-ITS
Focal length	16mm
Aperture	F1.4
Image Format	1"(16mm)
Mount	C
Field Angle D x H x V (°)	1", 55.6x45.3x34.3° 2/3", 39.2x31.5x23° 1/2", 28.65x23x17.3°
Optical Distortion	-3.95%(1")
M. O. D.	0.3m~∞
Dimension	Φ40*63.55mm
Flange BFL	17.526mm
Back Focal Length	13.76mm
machine back focal	9.85-11.45mm
Operation	Manual Iris Manual Focus
weight	146g
work temperature	-20~+60°C



size tolerance(mm): 0-10±0.05

10-30±0.10

30-120±0.2